



BOARD OF COMMISSIONERS
Agenda Item Summary

Agenda Category: BID AWARD

Meeting Date: January 10, 2023

Department: Community Development Department/Solid Waste Division

Issue: In the matter of approving the purchase of Eleven (11) 40 cubic yard roll-off containers with crank up reversible domed lids.

Background: The Solid Waste Division would like to utilize Klamath County’s membership with Sourcewell by purchasing Eleven (11) 40 cubic yard roll-off containers with crank up reversible lids off of the Contract 040621-WQI through Wastequip. The estimated cost of each container is \$10,039, the grand total of all Eleven (11) containers with shipping will be \$117,646.50 to be paid out of the Solid Waste equipment reserve. The Solid Waste equipment reserve will be reimbursed for the full cost through an internal transfer to the Solid Waste equipment reserve from the Sheriff’s Marijuana Grant.

Recommended Motion: Board approval to accept the quote and authorize the purchase of Eleven (11) 40 cubic yard roll-off containers with crank up reversible lids; and authorize Solid Waste Manager to sign. Fiscal impact is estimated to be \$117,646.50 expenditure, subject to change, from Solid Waste Equipment Reserve fund.

DONE AND DATED this _____ day of _____, 20__.

Chair
Approved
Denied

Vice-Chair
Approved
Denied

Commissioner
Approved
Denied



33710 Oakville Road, Albany, OR, 97321
 PHONE: 800-645-7106 FAX: 541-926-7558
 WQ-10256831



Awarded Contract

Contract # 040621-WQI

Sell To:

Contact Name	Dan Coen	Ship To Name	Klamath County Solid Waste Division
Bill To Name	Klamath County Solid Waste Division	Ship To	3801 Old Fort Rd
Bill To	305 Main St Klamath Falls, OR 97601-6332 USA		Klamath Falls, OR 97601 USA
Email	dcoen@co.klamath.or.us		
Phone	(541) 883-4698		
Mobile	(541) 591-3487		

Quote Information

Salesperson	Tina Rainwater	Created Date	12/13/2022
Salesperson Email	trainwater@wastequip.com	Expiration Date	1/12/2023
		Quote Number	WQ-10256831
			Please Reference Quote Number on all Purchase Orders

Product	Product Description	Description	Quantity	Sales Price	Total Price
Container - OR - 195500	40 Cubic Yard Standard Duty Rectangle Roll Off Container 22' Long - Floor: 12 gauge with 3" structural channels on 24" centers, Main Rail Tubing: 6" x 2" x 3/16", Walls: 12 gauge with Vertical Columns on 36" centers, Top Rails: 3" x 3" x 11 gauge, Primed and Painted any Standard Color	CHAIN ROLL OFF PAINT: FORREST GREEN	11.00	\$7,129.00	\$78,419.00
Container - OR - ROC601	Lid Options - Crank Up Reversible Domed Lid	2 WAY REVERSIBLE SCREEN LID	11.00	\$2,910.00	\$32,010.00

Payment Terms	Net 30 Days if credit has been established	Subtotal	\$110,429.00
Shipping Terms	FOB Origin	Shipping	\$7,217.50
		Tax	\$0.00
		Grand Total	\$117,646.50

Additional Information

Additional Terms Our Quote is a good faith estimate, based on our understanding of your needs. Subject to our acceptance, your Order is an offer to purchase our Products and services in accordance with the Wastequip Terms & Conditions of Sale ("WQ T&C") located at: <https://www.wastequip.com/terms-conditions-of-sale>, as of the date set forth in Section 1(b) of the WQ T&C, which are made a part of this Quote. These WQ T&Cs may be updated from time to time and are available by hard copy upon request.

Additional Information Pricing is based on your anticipated Order prior to the expiration of this Quote, including product specifications, quantities and timing. Any differences to your Order may result in different pricing, freight or other costs. Due to volatility in petrochemical, steel and related Product material markets, actual prices and freight, are subject to change. We reserve



33710 Oakville Road, Albany, OR, 97321
PHONE: 800-645-7106 FAX: 541-926-7558
WQ-10256831



Awarded Contract

Contract # 040621-WQI

the right, by providing notice to you at any time before beginning Product manufacturing, to increase the price of the Product(s) to reflect any increase in the cost to us which is due to any factor beyond our control (such as, without limitation, any increase in the costs of labor, materials, or other costs of manufacture or supply). Unless otherwise stated, materials and container sizes indicated on sales literature, invoices, price lists, quotations and delivery tickets are nominal sizes and representations – actual volume, Products and materials are subject to manufacturing and commercial variation and Wastequip’s practices, and may vary from nominal sizes and materials. All prices are in US dollars; this Quote may not include all applicable taxes, brokerage fees or duties. If customer is not tax exempt, final tax calculations are subject to change.

Special Contract Information Sourcewell-Pricing & Product offerings are based on the Sourcewell Co-Operative Contract with Wastequip, LLC (#040621-WQI, eff. 06/02/2021) and such Contract terms & conditions are incorporated herein by reference. Pricing & Product (& related) changes may occur at any time with proper documentation, & subject to Sourcewell approval; therefore, offerings may change without written prior notice. Wastequip Product Limited Warranties, Disclaimers, Limitation of Liability & Remedies, & Limited Warranty Provisions apply to all purchases thereunder.

Signatures

Accepted By: _____

Company Name: _____

Date: _____

Purchase Order: _____

Please Reference Quote Number on all Purchase Orders

MATERIALS:
 FLOOR: 12 GA
 MAIN RAIL: 5" CHANNEL
 CROSSMEMBER: CH 3 X 3.5# @ 24" SPACING
 WALLS: 12 GA
 TOP RAIL: ST 3 X 3 X 11 GA
 DOOR: SINGE SIDE SWING
 ORDERED WITH CRANK UP SCREEN LID

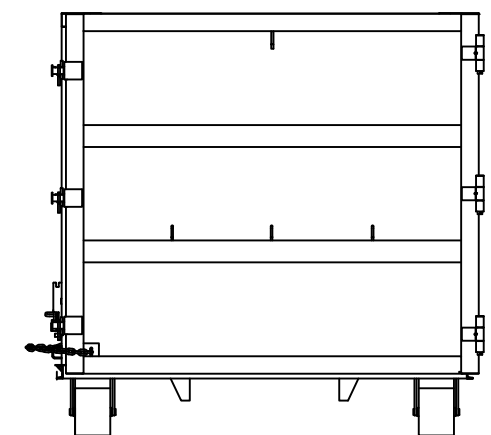
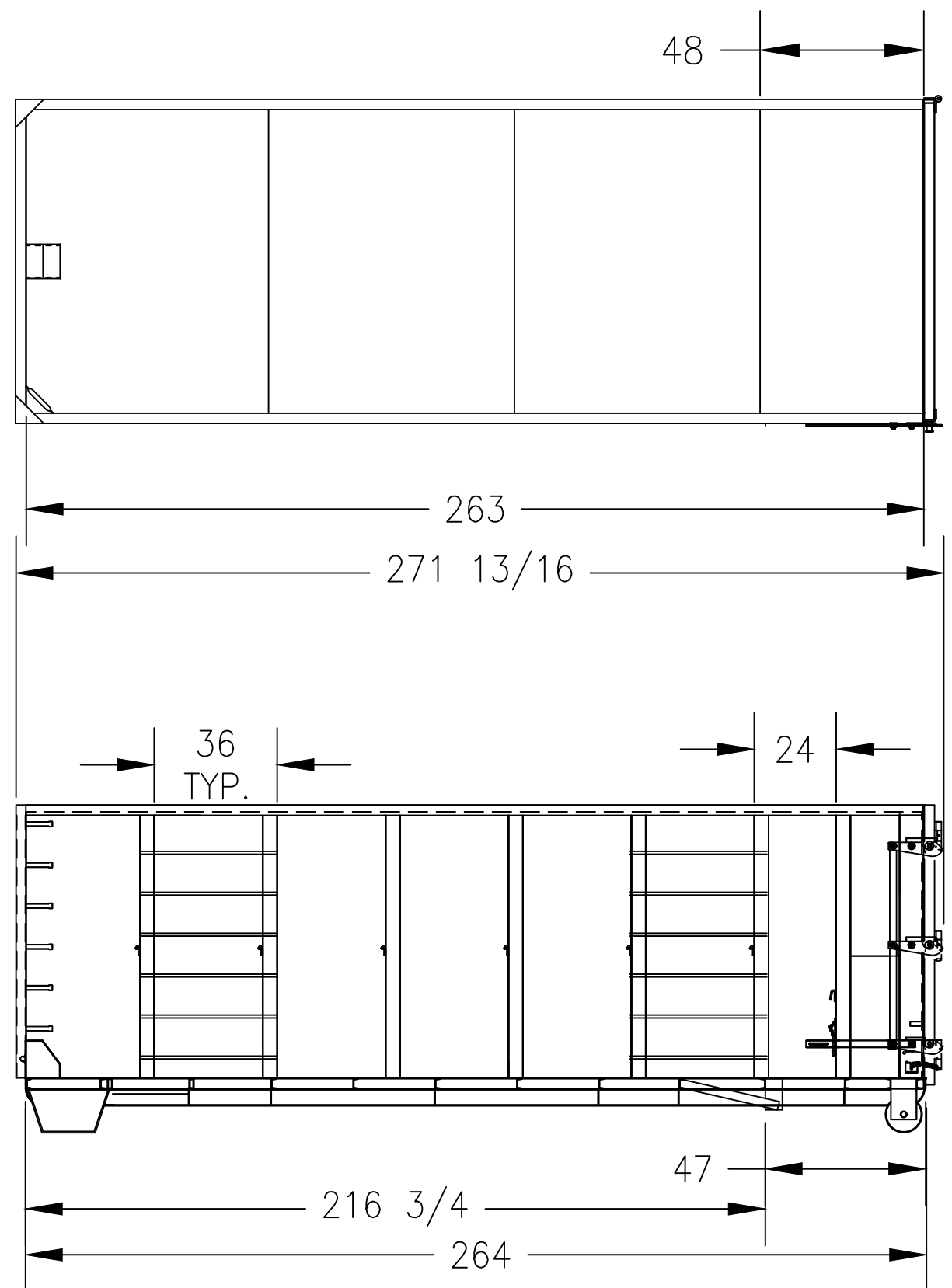
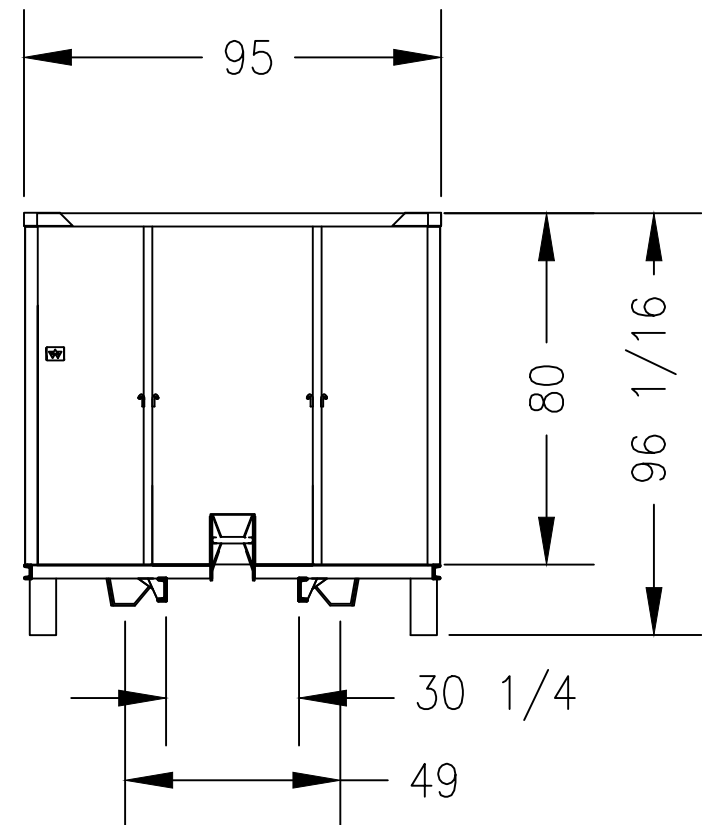
DRAWING APPROVAL


THIS PRINT IS FORWARDED FOR YOUR APPROVAL.
 PLEASE REVIEW BEFORE SIGNING THIS DRAWING.
 PLEASE MARK CHANGES.
 ALL CHANGES WILL BE REVIEWED.

FIRM _____
 SIGNATURE _____ DATE _____
 TITLE _____
 PRODUCTION CANNOT BEGIN UNTIL WASTEQUIP, INC.
 RECEIVES THIS SIGNED APPROVAL

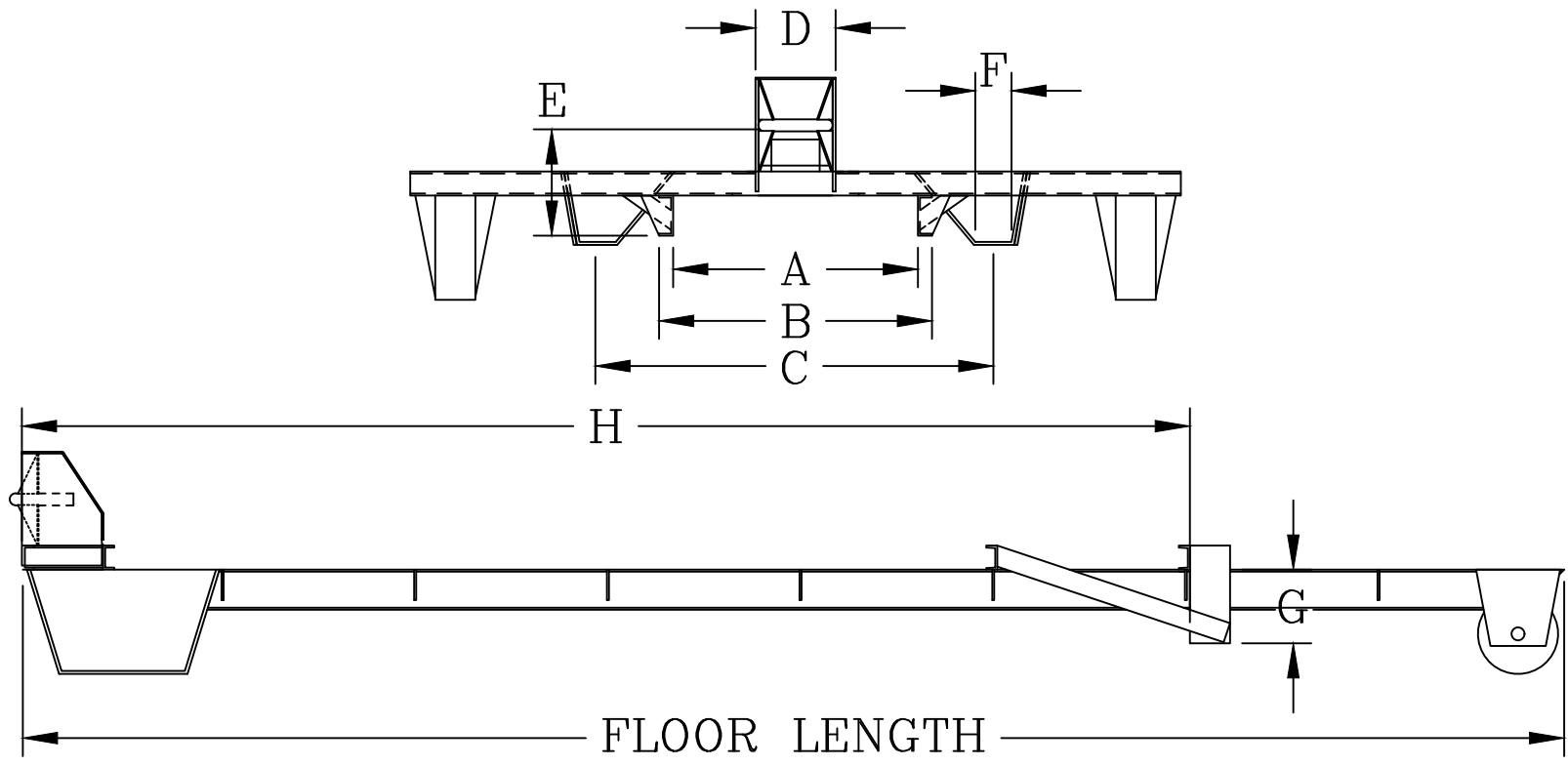
CONTAINER WILL COMPLY WITH ANSI Z245.30 & Z245.60
 CURRENT RELEASE, UNLESS SPECIFICALLY REQUESTED,
 WITH SUBMITTED DRAWINGS TO BE OTHERWISE.

THE ACTUAL VOLUME MAY VARY FROM THE NOMINAL
 YARDAGE STATED.



 WASTEQUIP <i>Nationally known for personal service</i>	Drawing: SALES	Drawn By: BW	Date: (mm/dd/yy) 12/20/22	Weight:	Scale: NTS
	Job No/Parent:	Checked By:	Date: (mm/dd/yy) / /	Drawing Number: 273615	
UNLESS OTHERWISE SPECIFIED: UNITS ARE INCHES AND TOLERANCES: FRACTIONAL ± 1/16 ANGULAR ± 1°			Drawing Title: 40 YD SPL R2280FL SUPR SS WC 12G/12G		Sheet No. 1 of 1
THIS DRAWING IS THE PROPERTY OF WASTEQUIP, LLC, IS CONFIDENTIAL. MUST NOT BE MADE PUBLIC OR COPIED, AND IS SUBJECT TO RETURN ON DEMAND. ALL RIGHTS OF DESIGN OR INVENTION ARE RESERVED.					Location ID: 02

A	/	X	Revision Description:
Rev.#:	Date:	By:	INITIAL RELEASE



Nominal Dimensions								
A	B	C	D	E	F	G	LENGTH	H
30 1/4"	33 3/4"	49"	10"	13"	4 1/2"	6"	12'	134"
							14'	158"
							16'	168"
							18'	192"
							20'	192"
							22'	216"